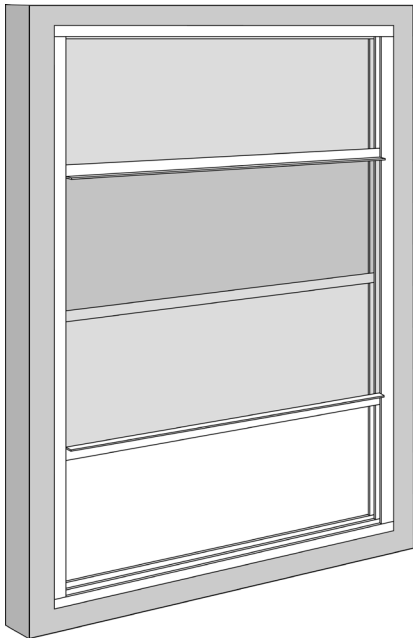


Trackglaze Vertical

the sliding insulation system for Sash and other windows



Trackglaze Vertical is an easy to install DIY system giving heat and noise insulation, featuring simple vertical slide opening panes for access to your outer windows. The system comprises rigid PVC Double Sliding Track, that is used on all 4 sides of the window cavity, Bristle Seal draught excluder and Handles for the top and bottom of each pane. Push-fit Stop Strips are used to prop panels open or closed.

The finished appearance is smart and clean, and the draught excluder ensures that every part of the frame is sealed when closed. Installation is made simple by the self-adhesive tape which is on every component, with the weight and movement of the panes fully supported by the cavity in which the system must sit.

It should be noted that the panels, when not propped, may slide due to gravity. For large heavy panes this can be dramatic and sudden (as featured in one of our videos on our websites). The panes are perfectly stable and will not move when correctly stopped, but if you have any reservations about the safe operating of such a system in your home, see our other Easyfix[®] Secondary Glazing systems for many alternatives, for all window types.

Easyfix[®] Trackglaze Vertical is designed for use with 4mm Polycarbonate sheet. Acrylic sheet can be used but is not as strong and glass must never be used with this system.

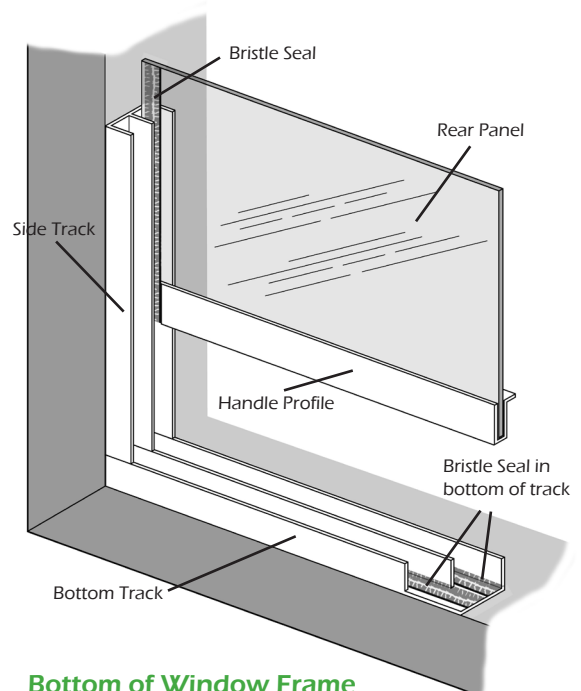
Trackglaze Vertical is sold in packs of 3 kits and is available in White or Brown.

Each kit is supplied fully packaged, includes full fitting instructions and contains the following components:

- 2 lengths - 2000mm Self-adhesive Double Track
- 2 lengths - 1200mm Self-adhesive Double Track
- 4 lengths - 1200mm Handle Profile
- 4 lengths - 2000mm Stop Strips
- 12m coil of Bristle Seal
- 3 Surface Preparation Wipes

Kits can also be bought singly through our online site www.secondarydiyglazing.com.

The tracks used by this system are 19mm wide, but the handles fitted to the panes will also protrude by 6mm beyond this footprint.

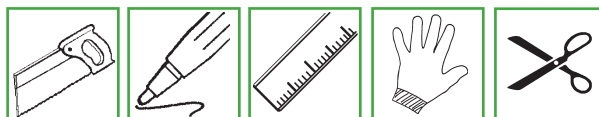


Bottom of Window Frame
viewed from inside

HELPFUL HINTS - Although Trackglaze Vertical can be prepared and fitted using common household DIY tools, it requires careful cutting and preparation for best results, so **we strongly recommend double checking measurements and "dry fitting" every component before sticking into position!**

Trackglaze Vertical is designed to fit within a window cavity. To install it for a window (e.g. a typical sash window) where there is no cavity and only face-fitting is possible you need to create a suitable cavity either by using our Window Conversion Angles screwed to the window surround or wooden battens. It is essential for effective insulation that any fitting is airtight.

TOOLS REQUIRED - Fine tooth saw, pencil, tape measure, gloves and a pair of scissors.



Measuring up for your Plastic Glazing Sheets

Trackglaze Vertical needs to be installed inside a window cavity. If this is not possible then you need to create one using either wood battens or the Window Conversion Angles we can supply.

1. Bottom Sheet - Decide at what height you want the join to be and measure to the bottom of the cavity, subtract 11mm to give you the height of the bottom sheet.
2. Top Sheet - Take the full height of the cavity, subtract 6mm and then subtract the height of the bottom panel (as calculated in step 1) This will give you the height of the top sheet and allows for them to overlap at the join.
3. Both sheets are 6mm less than the cavity width.

For example; a window cavity that is 1003mm high, 500mm wide and the eyeline needs to reach 535mm from the bottom, these are the calculations:

- 535mm less 11mm = 524mm height of bottom pane
- 1003mm less 6mm less 524mm = 473mm height of the top panel
- 500mm less 6mm = 494mm width for both

therefore the pane sizes to order in this case are 524 x 494mm and 473 x 494mm.

USING TRACKGLAZE VERTICAL STEP BY STEP

Although it is possible to mitre the TGV tracks in each corner the system will work equally well by using full straight track lengths top and bottom, then cutting the sides accordingly.

4. Cut the top and bottom tracks to the width of the cavity and stick Bristle Seal into the bottom of both channels on each length.
5. Stick the bottom track into position within the cavity. Note: For all sticking down, you can place the track in position with a small amount of the adhesive cover removed and folded outwards, it can then be slowly stripped out from under the correctly positioned track.
6. With the top track held in position, measure and cut the tracks for each side, then dry fit to ensure good overall assembly.
7. Stick Bristle Seal at the sides of each sheet on one side only, where this is to be enclosed in the side tracks. The panes should have the Bristle Seal facing the centre leg of the track at all times.
8. Cut 4 lengths of Handle profile to fit between the side tracks. Clip a piece over the top and bottom of the exposed edges, making sure the lip of the handle faces out and is on the opposite side to the Bristle Seal stuck down the sides. The flat faces of the handle profile should be facing each other.
9. Place the panes within the side tracks, then lift both tracks and panes up and into position over the bottom track. Let the panes settle into the bottom track, this will help position the side tracks correctly.
10. Stick the side tracks into position, then likewise stick the top track in place.
11. Using small pieces of Stop Strip to help if required, close both panes fully, the Handles should overlap in the centre. Open the panes and stick Bristle Seal to the inside of both centre Handles, making sure that when fully closed, the Seals interact to seal the window. You can use double widths of bristle for a wider seal if required.
12. Cut full length pieces of Stop Strip for both sides to secure the top pane. Additional lengths can be cut for propping the panes open, or if at any point Strips get mislaid.

Note: For wide windows, there may be sufficient flex in the Polycarbonate panes to fit and remove when the tracks are fixed in position. The narrower the pane the less feasible this is, so care must be taken not to force a pane in or out. Use of the Window Conversion Kit will allow a side to be unscrewed and removed should the panes need removing.



PLEASE READ INSTRUCTIONS THOROUGHLY BEFORE CUTTING OR FITTING ANY SYSTEM

TUBEWAY (SALES) LIMITED, Elton Park, Hadleigh Road, Ipswich, IP2 0HN. Tel: 01473 251051 Fax: 01473 236044
Buy online at www.secondarydiyglazing.com email: sales@tubeway.co.uk website: www.tubewaysales.com

EASYFIX® is a Registered Trademark of Tubeway (Sales) Limited - Apr 2019